

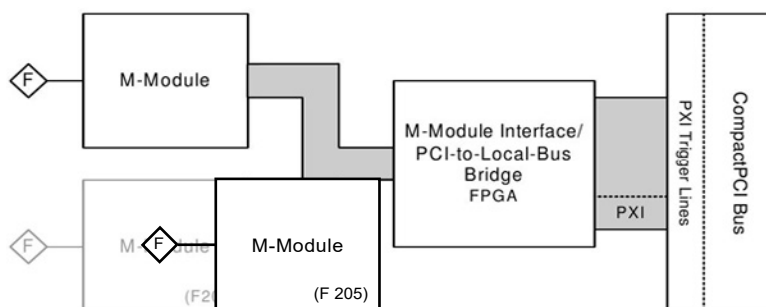
F205 – Carrier Board (for e.g. RoadBox)



Features

- M-Module slots
 - Two M-Module slots
 - Compliant with M-Module standard
 - Characteristics: A08, A24, D08, D16, D32
- Peripheral connections
 - Via front panel
- CompactPCI bus
 - Compliance with CompactPCI specification 2.0 R2.1
 - Only one slot on the CompactPCI bus required
- 32-bit/33-MHz PCI-to-M-Module bridge
- FPGA-based
- Compliant with PCI specification 2.2
- Mechanical specifications
 - Dimensions: 111.7mm x 160mm standard
 - Front panel: aluminum without handles, cut-outs for front connectors of 2 M-Modules
- Special form factor for RoadBox usage

Block Diagram



Order Information

Order Number	IO-F205
--------------	---------

* This pcb format exceeds the standard by 11.7mm